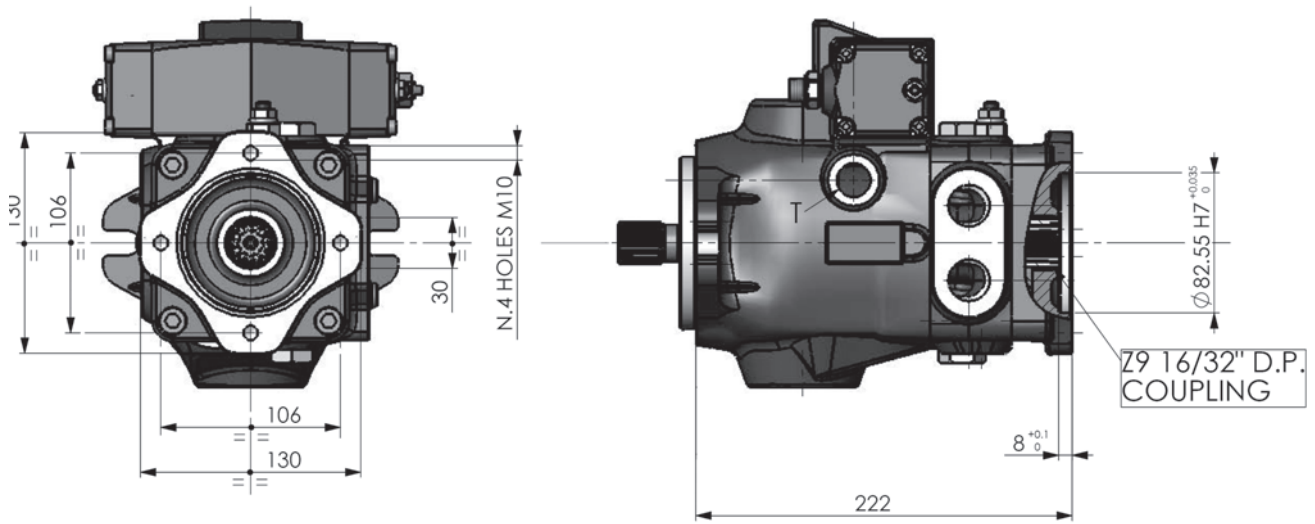


REAR PUMP FLANGE CONNECTIONS
(Pump with Hydraulic Remote Servo-Control)

SAE A - 4 holes **SA**

Max. torque = 80 Nm



SAE B - 2 holes **SB**

Max. torque = 230 Nm

