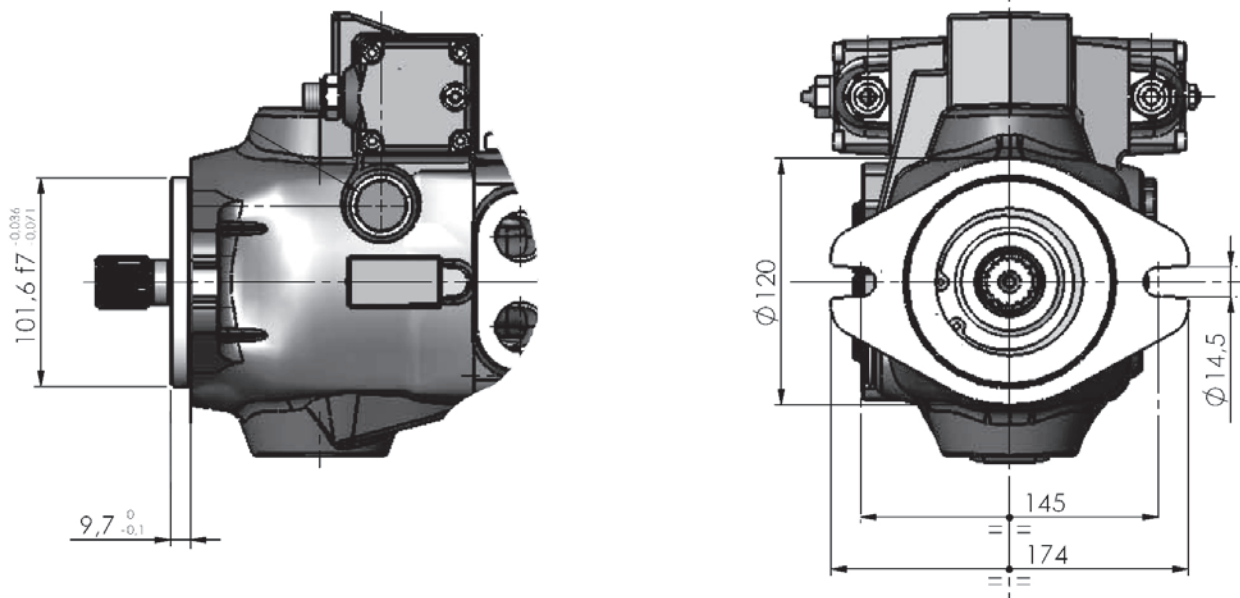


Mounting Flange and Shaft Options

FLANGES

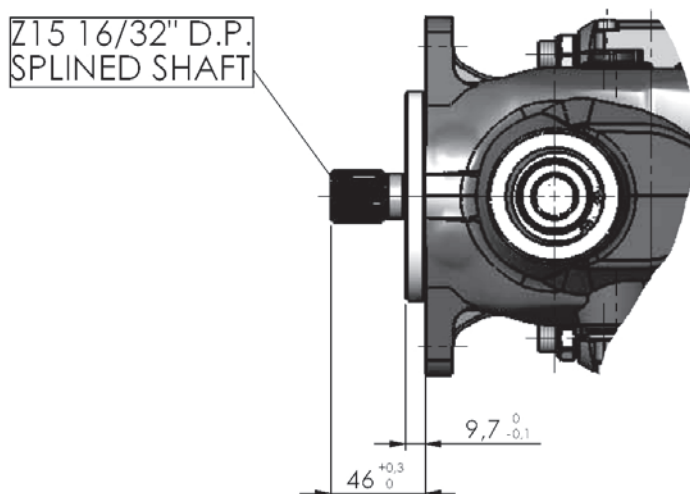
SAE B - 2 holes flange F2



SHAFT

Splined shaft Z = 15 SS5

Max. torque = 360 Nm



Attention: for the application of multiple pumps the total absorbed torque must not exceed the indicated value.