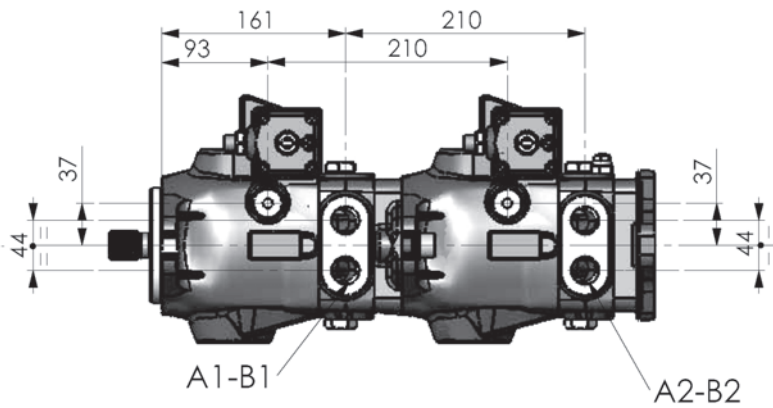
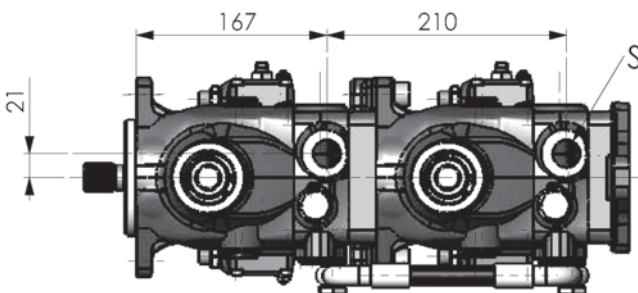
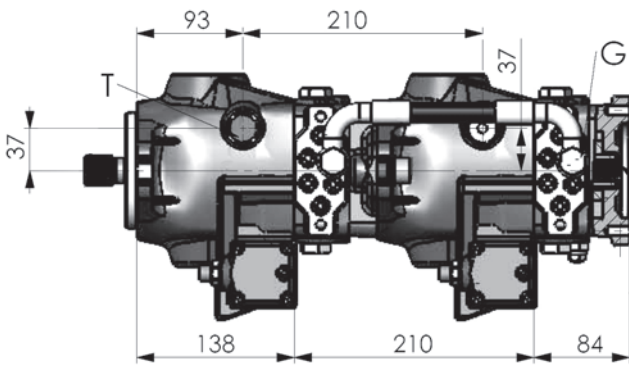
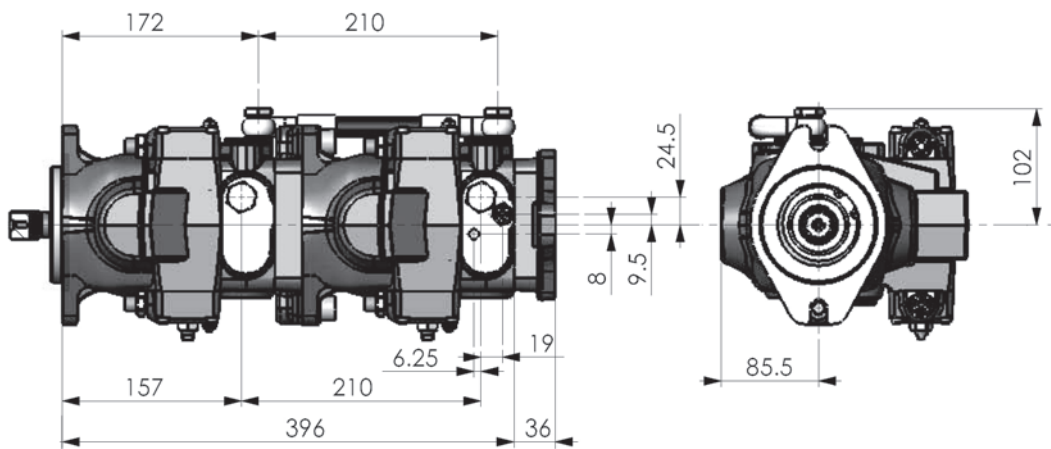


**TANDEM PUMP - Hydraulic Remote Servo-Control  
INSTALLATION DRAWING**



See shaft and flange details



TPVT 4000 CONNECTIONS		
A1-B1	SERVICES	3/4" BSP
A2-B2	SERVICES	3/4" BSP
T	DRAIN	1/2" BSP
S	SUCTION	3/4" BSP
G	CHARGE SYSTEM	1/4" BSP
U	GAUGE PORTS	1/8" BSP
P1-P2	SERVO CONTROL PORTS	1/4" BSP

Hydraulic diagram

