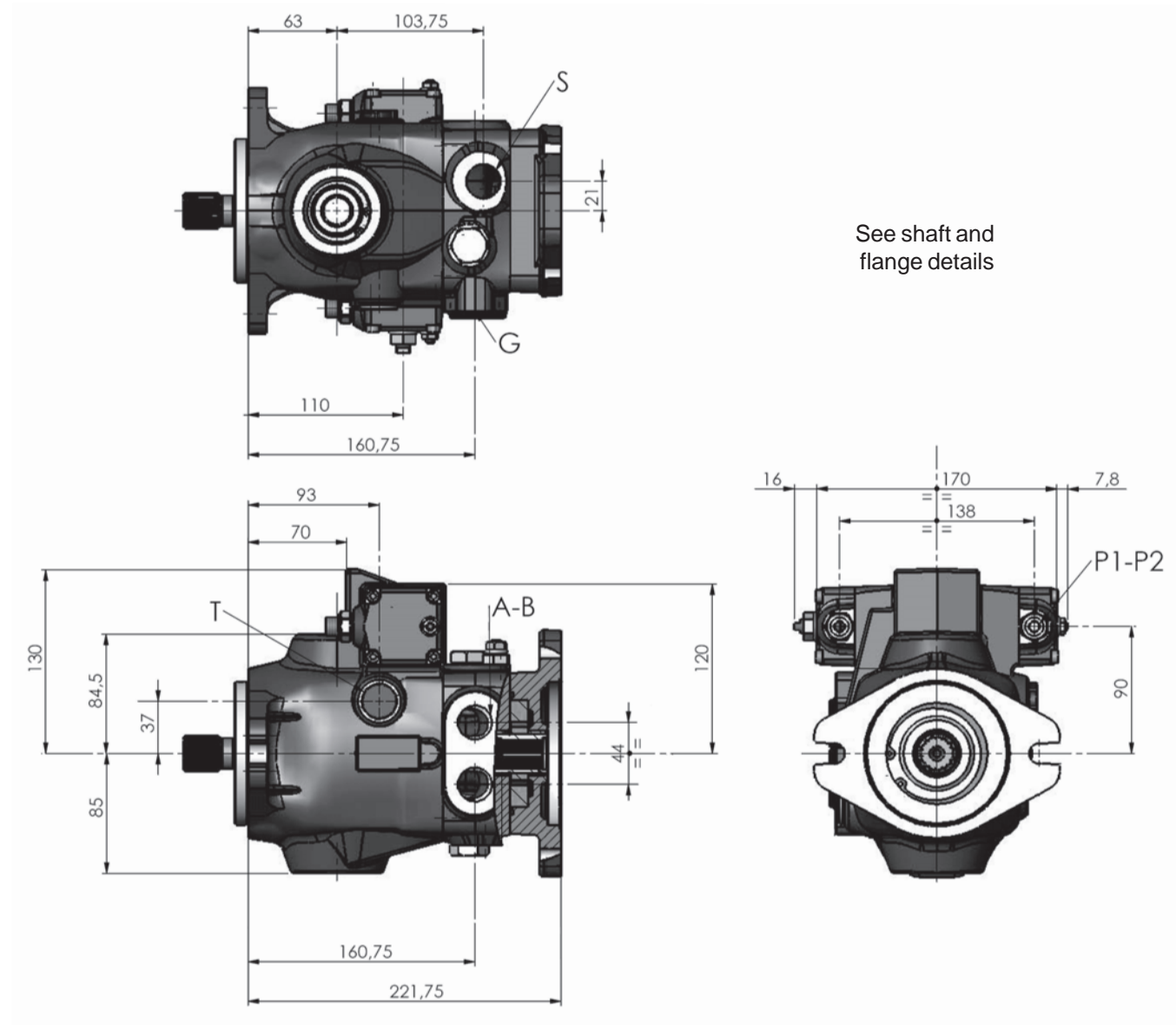
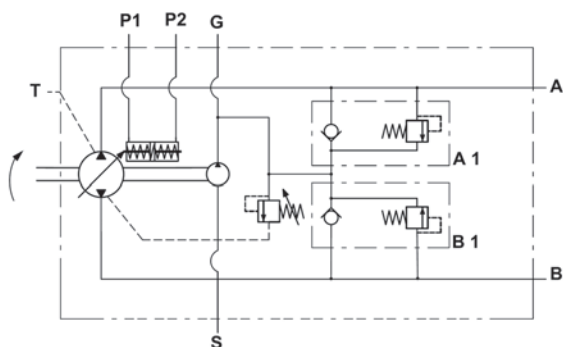


**SINGLE PUMP - Hydraulic Remote Servo-Control
INSTALLATION DRAWING**



Hydraulic diagram



TPV 4000 CONNECTIONS		
A-B	SERVICES	3/4" BSP
T	DRAIN	1/2" BSP
S	SUCTION	3/4" BSP
G	CHARGE SYSTEM	1/4" BSP
P1-P2	SERVO CONTROL PORTS	1/4" BSP