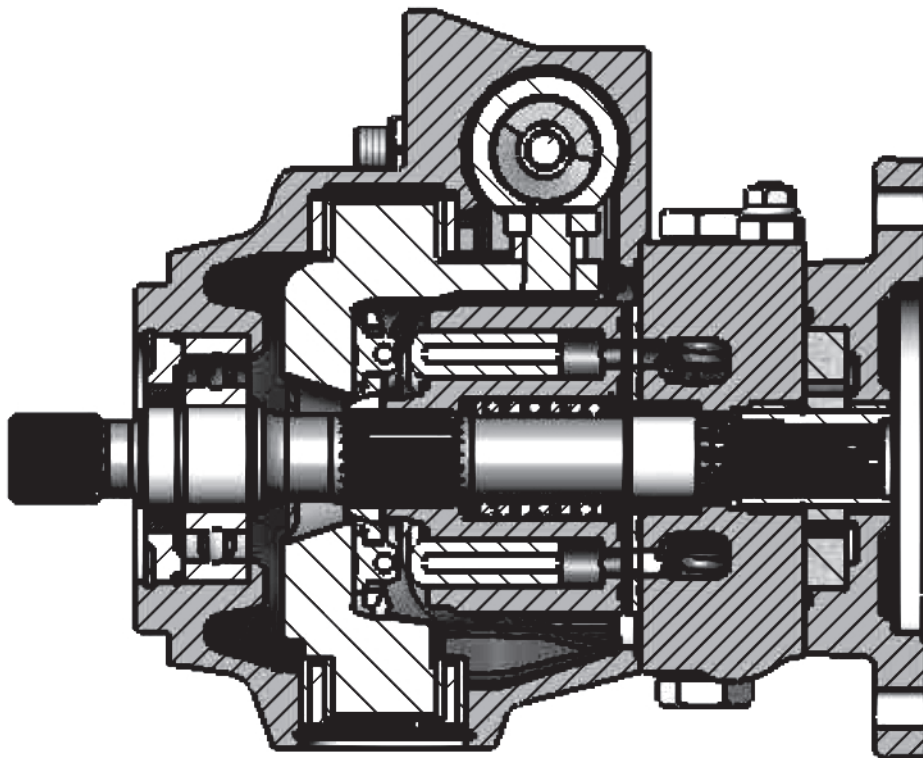


DESCRIPTION

TPV models are variable displacement axial piston pumps, with swashplate system, for closed loop hydrostatic transmissions.



Features:

- Silent running
- High rotation speed
- Compact design
- Suitable for multiple pump assembly
- Easy maintenance
- Built-in pressure relief valves
- Accessories: by-pass valve, zeroing controls and special version

All HANSA-TMP TPV pumps are tested dynamically and statically to ensure the quality of our products.