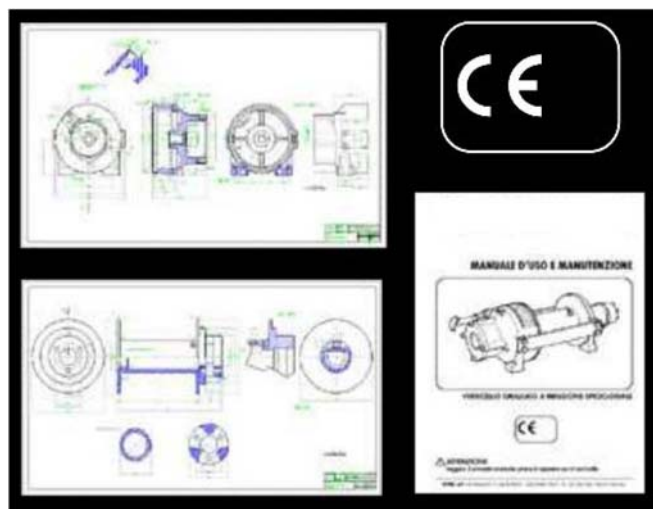


Electric and Hydraulic pulling Winches General informations

CE

HANSA-TMP has certified its winches to comply with CE 89 / 392 and each winch is delivered with an instruction and maintenance manual and a Declaration of Conformity. The winch is fitted with an identification plate and warning symbols.



TÜV - GS

HANSA-TMP has a long-standing committent to producing quality winches throughout it range. To ensure that the company's production quality system is maintained HANSA-TMP has applied for and been granted the German GS approvals which comply with DIN 15020 and this certifications has been achieved through TÜV product Service of Munchen. The annual system audit carried out by TÜV-GS engineers will ensure the maintenance of these production standard.

