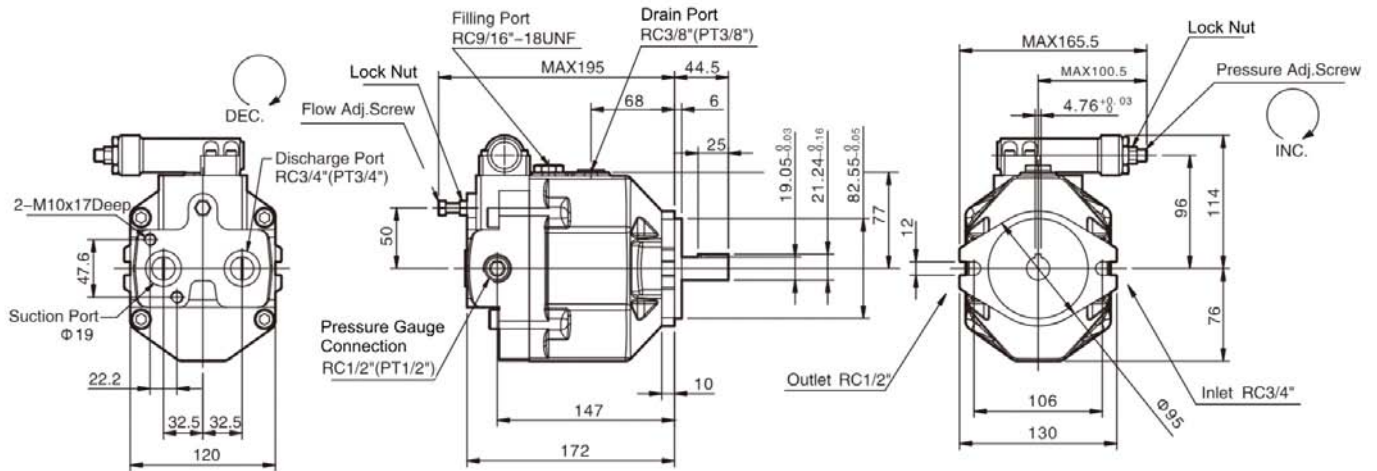
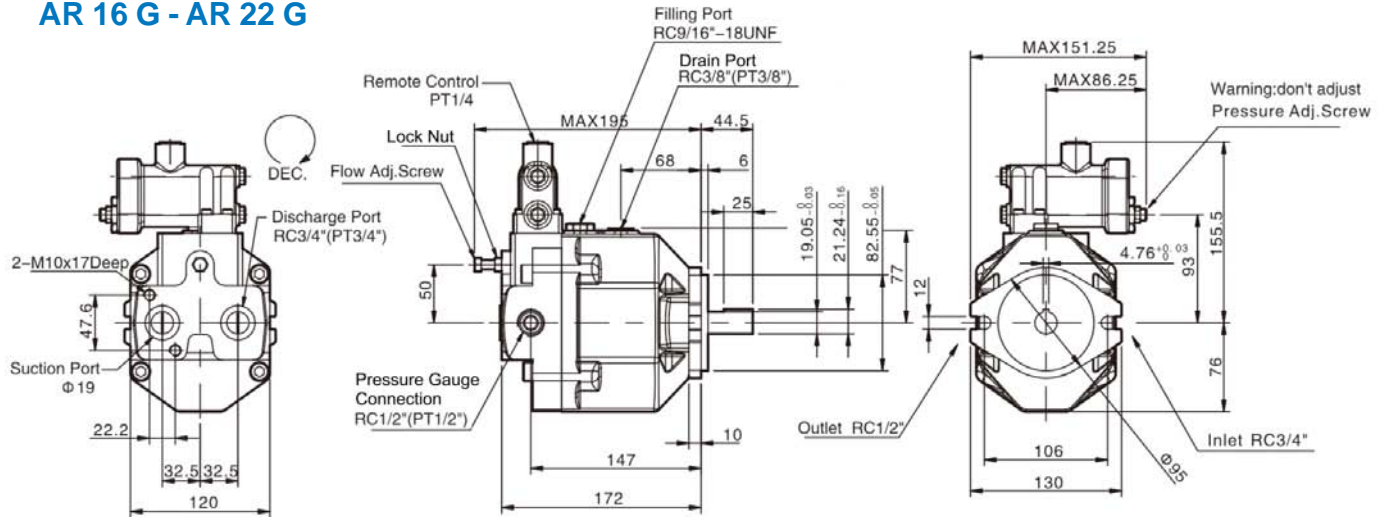


AR Series Axial Piston Pump Installation Drawing (SAE "A" 2 bolt)

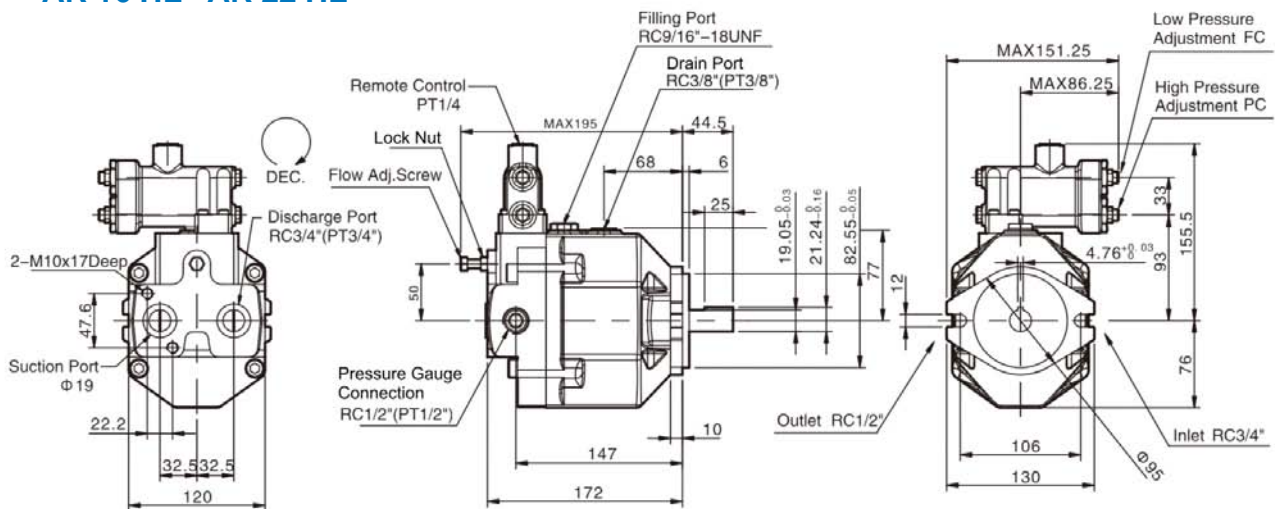
AR 16 01 - AR 22 01



AR 16 G - AR 22 G



AR 16 HL - AR 22 HL

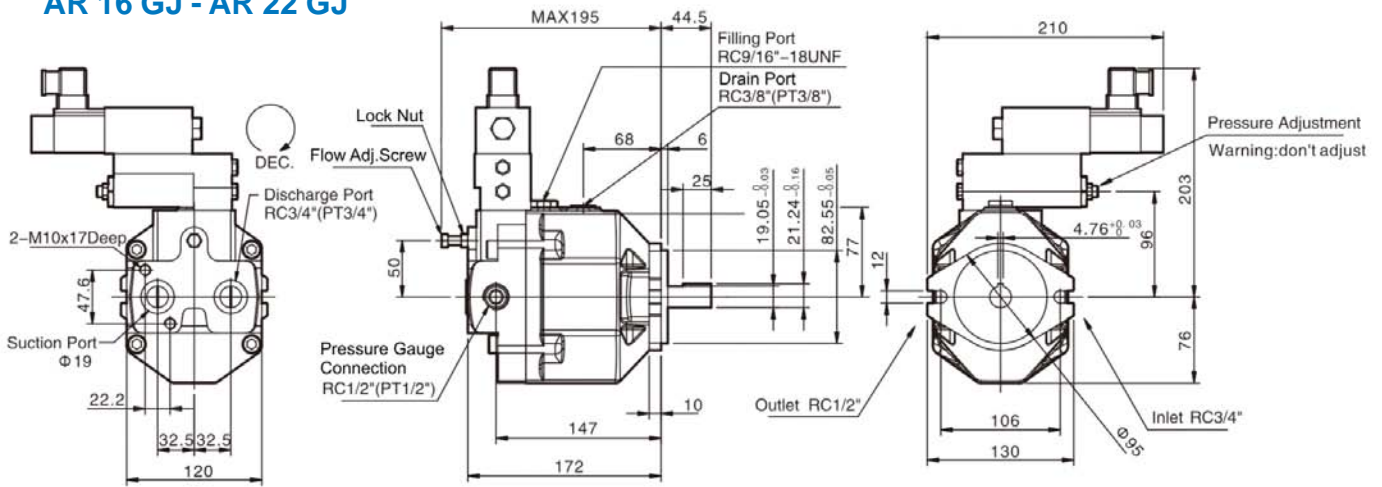


Note: - Inlet - Outlet port are for standard rotation (clockwise)

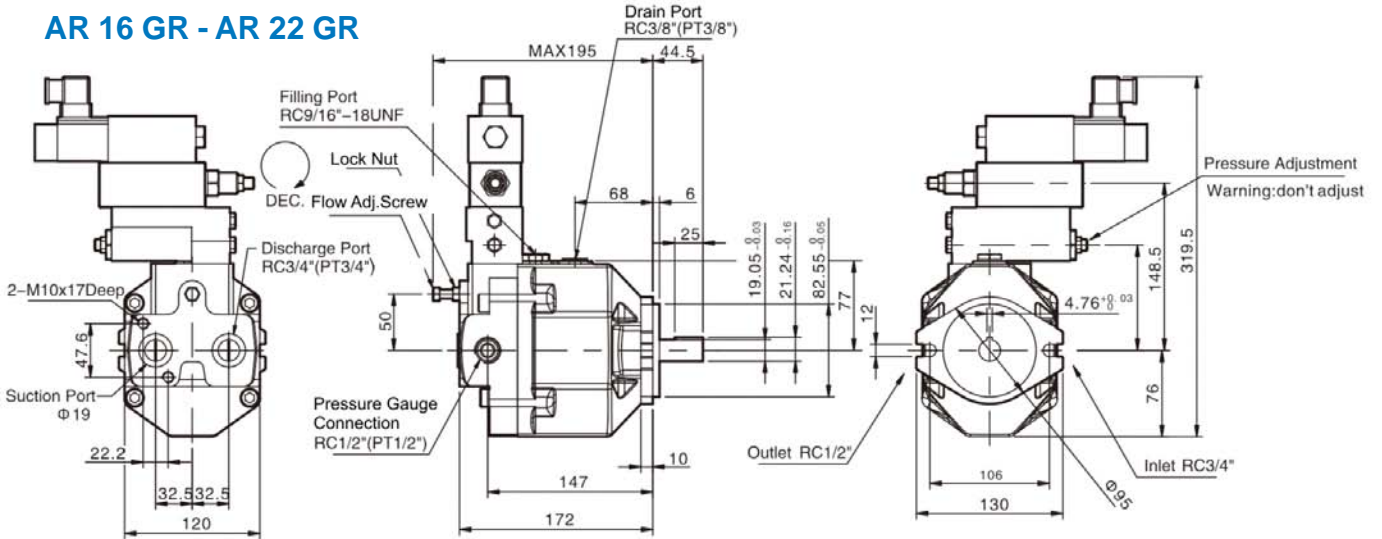


AR Series Axial Piston Pump Installation Drawing (SAE "A" 2 bolt)

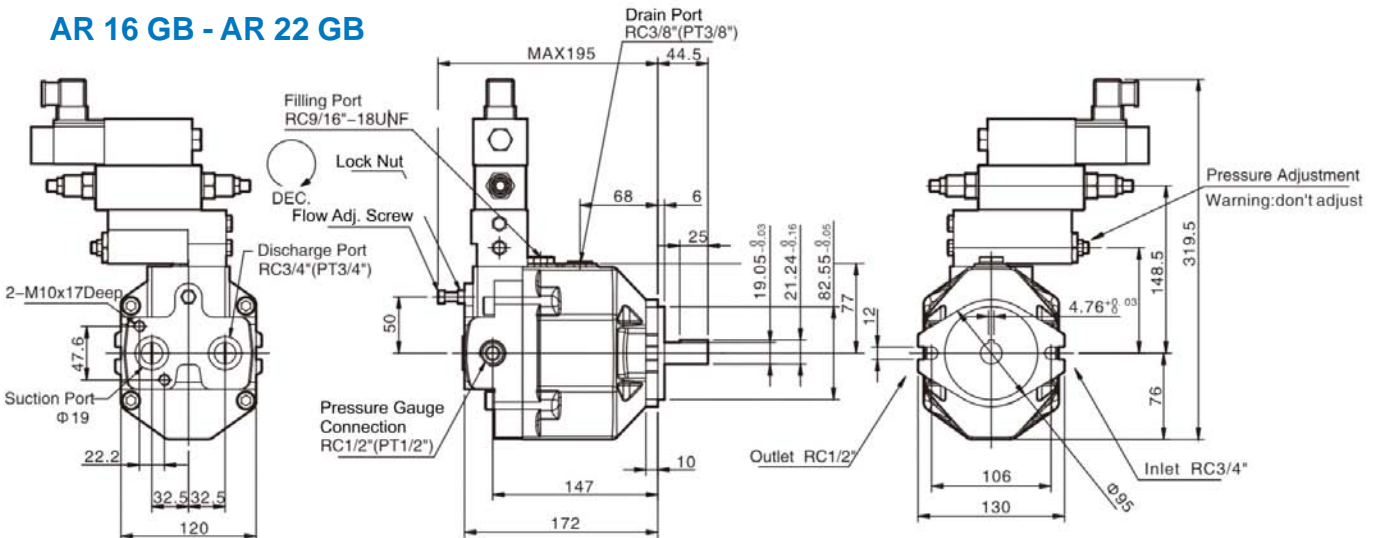
AR 16 GJ - AR 22 GJ



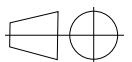
AR 16 GR - AR 22 GR



AR 16 GB - AR 22 GB

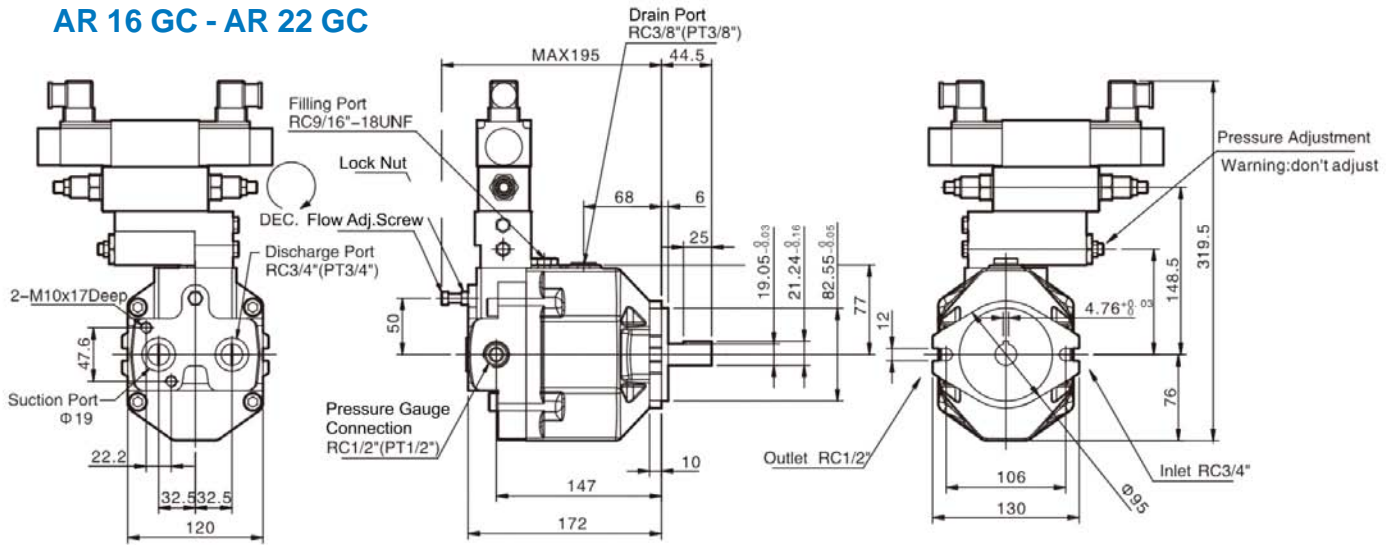


Note: - Inlet - Outlet port are for standard rotation (clockwise)

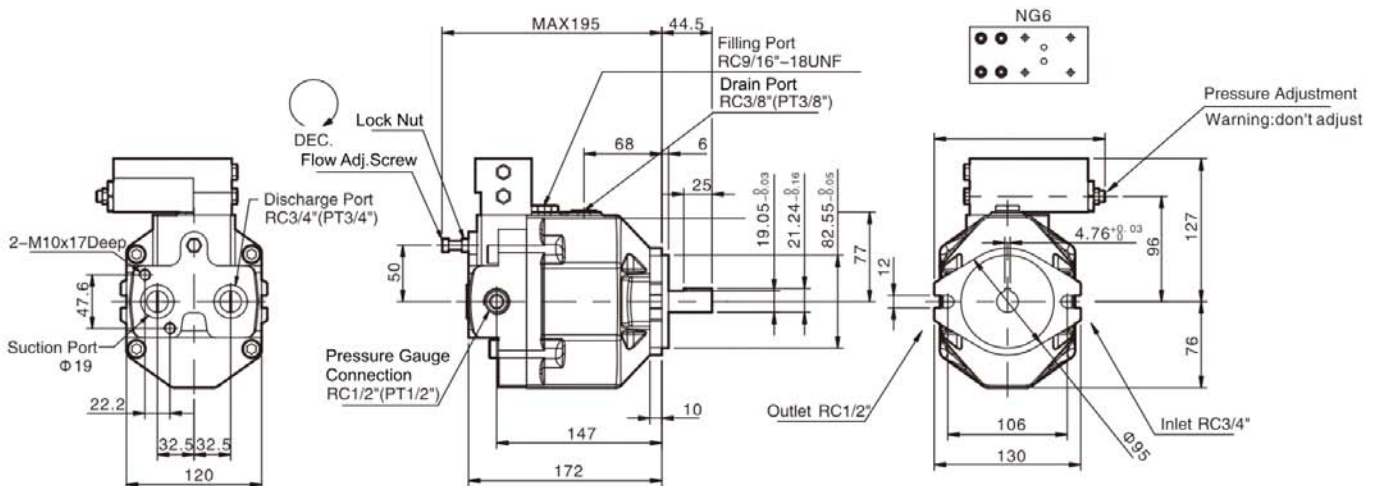


AR Series Axial Piston Pump Installation Drawing (SAE "A" 2 bolt)

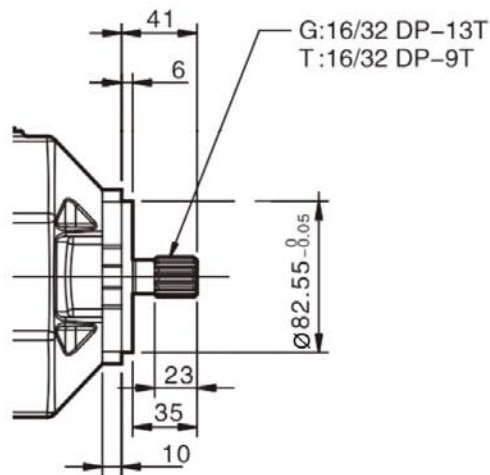
AR 16 GC - AR 22 GC



AR 16 GM - AR 22 GM



AR 16 - AR 22 Splined Shaft



Note: - Inlet - Outlet port are for standard rotation (clockwise)

