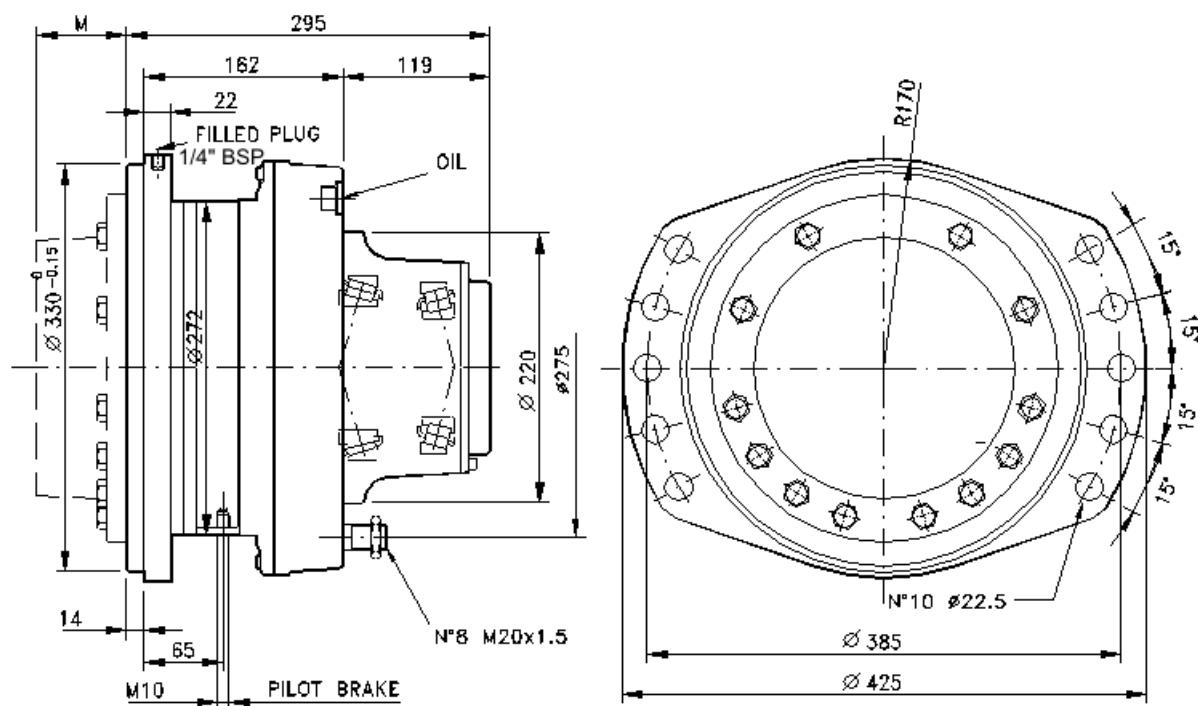


S 220 WHEEL DRIVE UNIT

GENERAL DIMENSIONS



Motor Code	Motor Type	Motor flange tickness	M
GM05	SAI GM05 - female	35x2x16 DIN 5480	25
GM1	SAI GM1 - female	35x2x16 DIN 5480	25
GM2	SAI GM2 - female	40x3x12 DIN 5480	25
ODV	DANFOSS OMV - male	8/16 z16 B92.1 '70	53