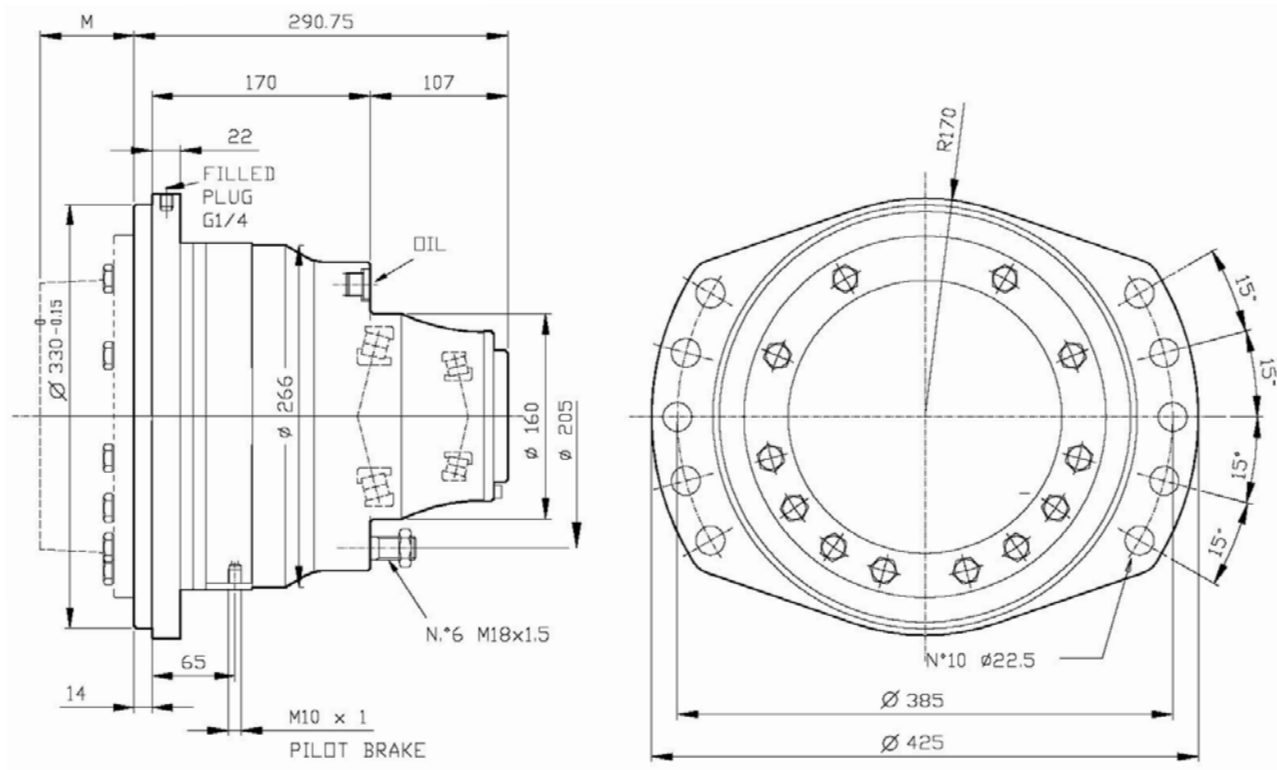


# S 120...GM2 WHEEL DRIVE UNIT

## GENERAL DIMENSIONS



Motor Code	Motor Type	Motor flange thickness
		M
GM2	SAI GM2 -female 40x3x12 DIN 5480	25