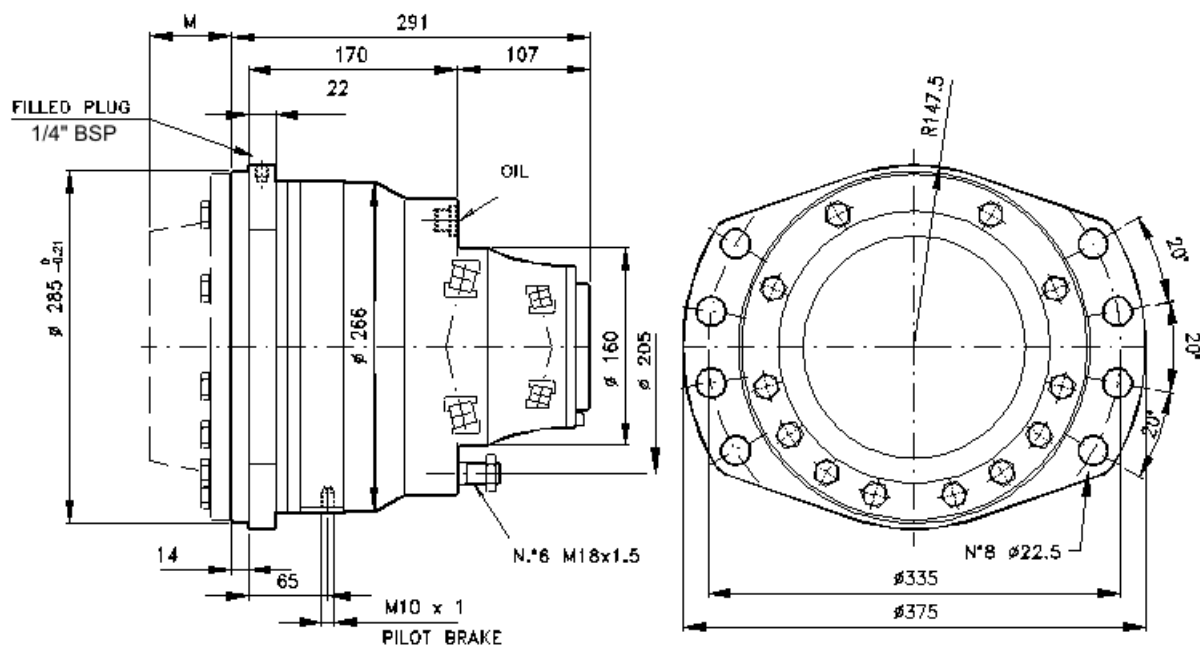


S 120 WHEEL DRIVE UNIT

GENERAL DIMENSIONS



Motor Code	Motor Type	Motor flange tickness
		M
GM05	SAI GM05 - female 35x2x16 DIN 5480	25
GM1	SAI GM1 - female 35x2x16 DIN 5480	25
ODT	DANFOSS OMT - male 12/24 z17 B92.1 1970	53