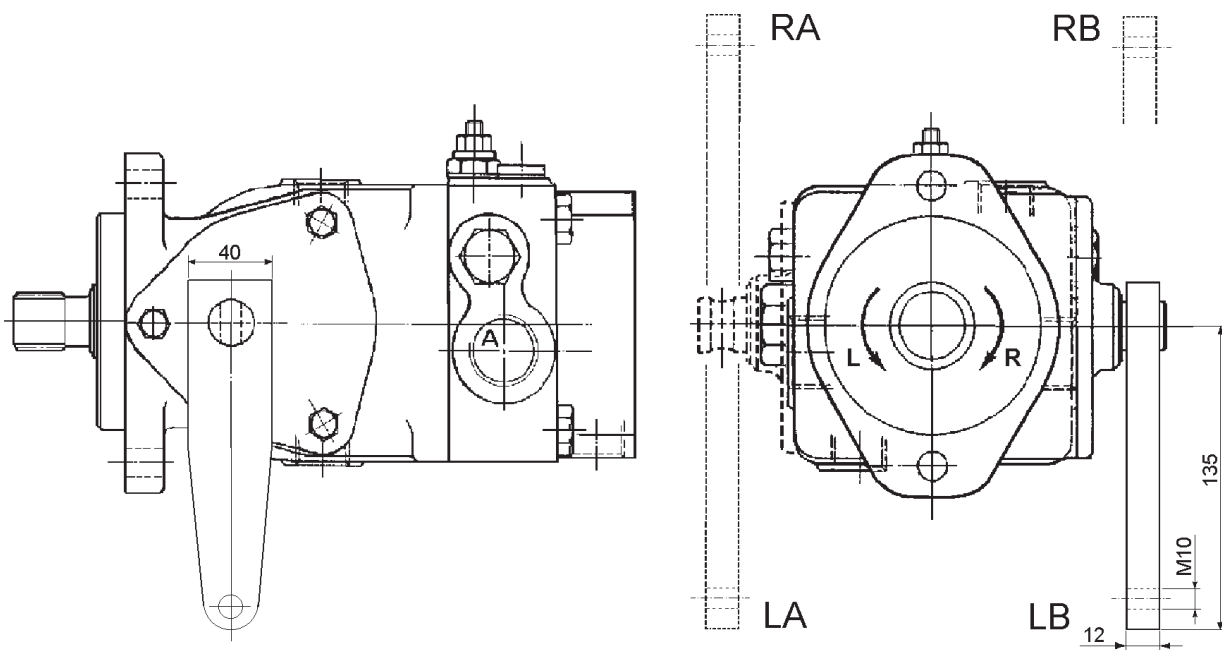


CONTROL DEVICE POSITION VARIABLE DISPLACEMENT MOTOR

LC



CONTROL LEVER

The variation in motor displacement is obtained by rotate the lever shaft in a clockwise or counter-clockwise direction.